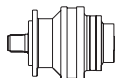
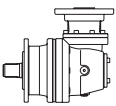


GBA 61000

	i_e	$T_{cont.} (Nm)$							$n_1 \text{ max}$ RPM
		$n_2 \times h$ 10.000	$n_2 \times h$ 25.000	$n_2 \times h$ 50.000	$n_2 \times h$ 100.000	$n_2 \times h$ 500.000	$n_2 \times h$ 1.000.000	$n_2 \times h$ 2.000.000	
GB 61001	3,84	953003	829664	747084	692628	504995	410182	333171	850
GB 61002	14,13	752233	571438	464151	377007	232625	188950	153475	1400
	18,97	629920	551868	448255	364095	224658	182479	148218	1400
GB 61003	56,52	752233	571438	464151	377007	232625	188950	153475	2000
	65,95	752233	571438	464151	377007	232625	188950	153475	2000
	75,90	629920	551868	448255	364095	224658	182479	148218	2000
	88,55	629920	551868	448255	364095	224658	182479	148218	2000
GB 61004	226,10	752233	571438	464151	377007	232625	188950	153475	2350
	263,78	752233	571438	464151	377007	232625	188950	153475	2350
	293,93	752233	571438	464151	377007	232625	188950	153475	2350
	412,16	752233	571438	464151	377007	232625	188950	153475	2350
	474,35	629920	551868	448255	364095	224658	182479	148218	2350
	553,41	629920	551868	448255	364095	224658	182479	148218	2350
GB 61005	805,48	752233	571438	464151	377007	232625	188950	153475	2500
	939,73	752233	571438	464151	377007	232625	188950	153475	2500
	1047,12	752233	571438	464151	377007	232625	188950	153475	2500
	1095,71	752233	571438	464151	377007	232625	188950	153475	2500
	1221,64	752233	571438	464151	377007	232625	188950	153475	2500
	1424,43	752233	571438	464151	377007	232625	188950	153475	2500
	1711,70	752233	571438	464151	377007	232625	188950	153475	2500
	1808,79	752233	571438	464151	377007	232625	188950	153475	2500
	2015,51	752233	571438	464151	377007	232625	188950	153475	2500
	2102,02	752233	571438	464151	377007	232625	188950	153475	2500
	2351,43	752233	571438	464151	377007	232625	188950	153475	2500
	2826,24	752233	571438	464151	377007	232625	188950	153475	2500
	3157,29	629920	551868	448255	364095	224658	182479	148218	2500

GBA 61000

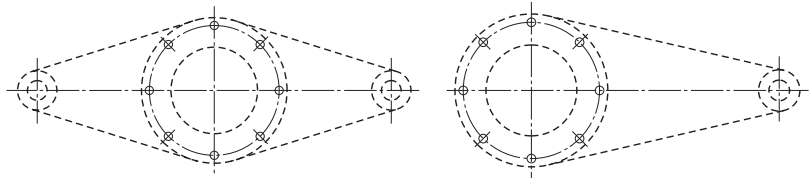
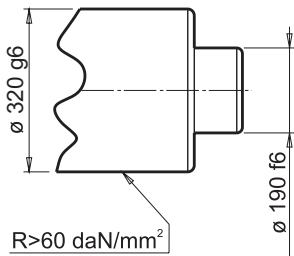
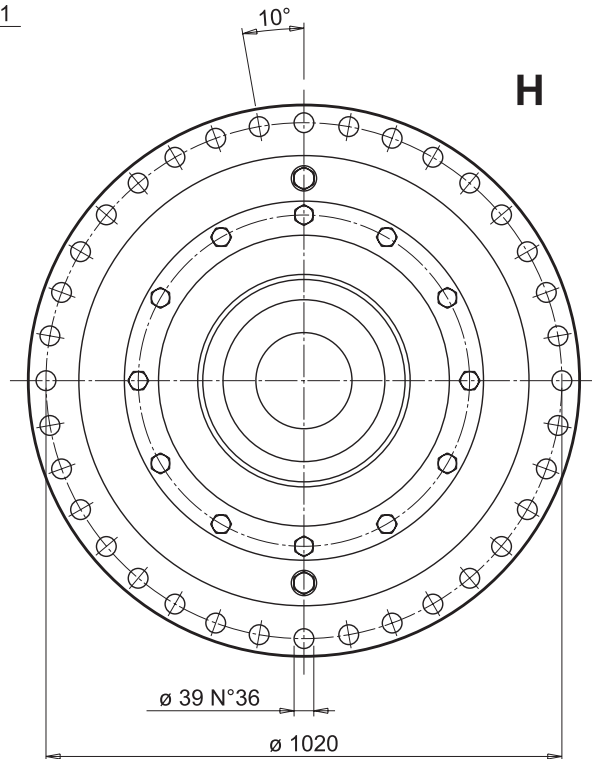
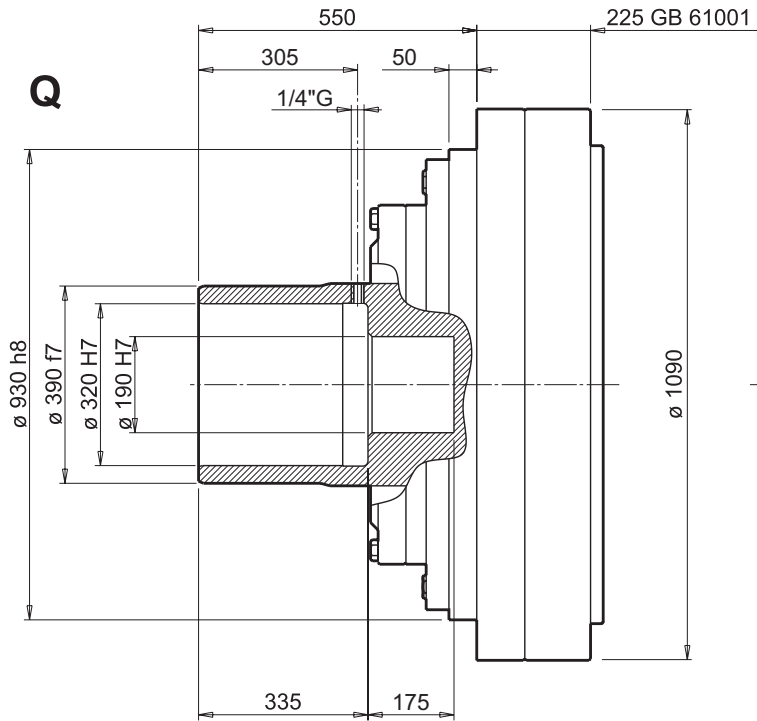
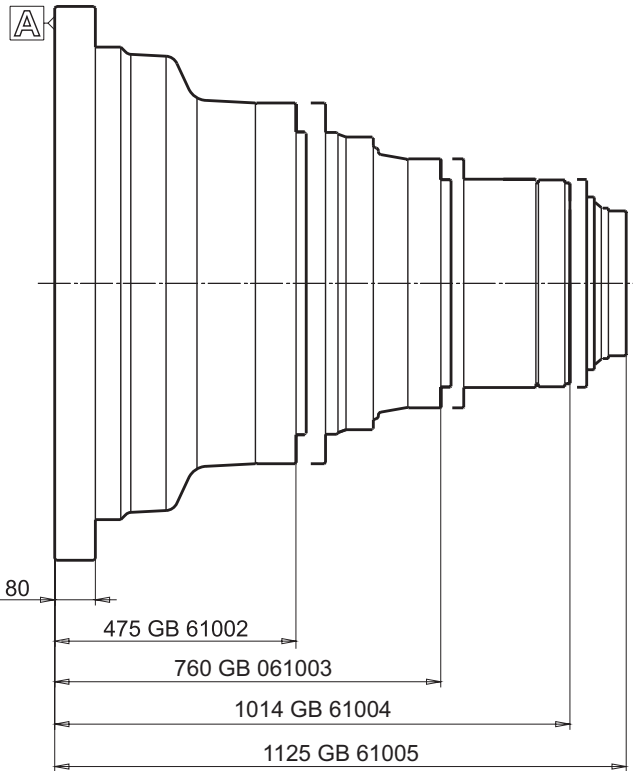
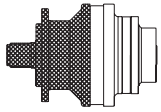
	i_e	$T_{cont.} (Nm)$							$n_1 \text{ max}$ RPM
		$n_2 \times h$	$n_2 \times h$	$n_2 \times h$	$n_2 \times h$	$n_2 \times h$	$n_2 \times h$	$n_2 \times h$	
		10.000	25.000	50.000	100.000	500.000	1.000.000	2.000.000	
GBA 61005	694,45	733456	557176	452567	367599	226821	184236	149646	3500
	810,19	752233	571438	464151	377007	232625	188950	153475	3500
	902,78	752233	571438	464151	377007	232625	188950	153475	3500
	1053,25	752233	571438	464151	377007	232625	188950	153475	3500
	1087,85	629920	551868	448255	364095	224658	182479	148218	3500
	1265,92	752233	571438	464151	377007	232625	188950	153475	3500
	1414,20	629920	551868	448255	364095	224658	182479	148218	3500
	1600,28	752233	571438	464151	377007	232625	188950	153475	3500
	1699,77	629920	551868	448255	364095	224658	182479	148218	3500
	1923,41	752233	571438	464151	377007	232625	188950	153475	3500
	2213,65	629920	551868	448255	364095	224658	182479	148218	3500
	2582,59	629920	551868	448255	364095	224658	182479	148218	3500
	GBA 61006	2473,97	752233	571438	464151	377007	232625	188950	153475
2884,63		745752	566515	460152	373759	230621	187322	152152	3500
3216,16		752233	571438	464151	377007	232625	188950	153475	3500
3541,68		728976	553771	449801	365351	225433	183108	148730	3500
4044,14		721429	548038	445144	361568	223099	181212	147190	3500
4507,23		752233	571438	464151	377007	232625	188950	153475	3500
4886,57		752233	571438	464151	377007	232625	188950	153475	3500
5555,58		752233	571438	464151	377007	232625	188950	153475	3500
6318,96		752233	571438	464151	377007	232625	188950	153475	3500
6995,51		752233	571438	464151	377007	232625	188950	153475	3500
7987,95		752233	571438	464151	377007	232625	188950	153475	3500
8925,43		629920	551868	448255	364095	224658	182479	148218	3500
9809,41		752233	571438	464151	377007	232625	188950	153475	3500
11201,05		752233	571438	464151	377007	232625	188950	153475	3500
12629,17		629920	551868	448255	364095	224658	182479	148218	3500
13189,12		752233	571438	464151	377007	232625	188950	153475	3500
15179,29		629920	551868	448255	364095	224658	182479	148218	3500
17709,18		629920	551868	448255	364095	224658	182479	148218	3500

	P_t (kW)
	H
GB 61001	268
GB 61002	161
GB 61003	117
GB 61004	92
GB 61005	76

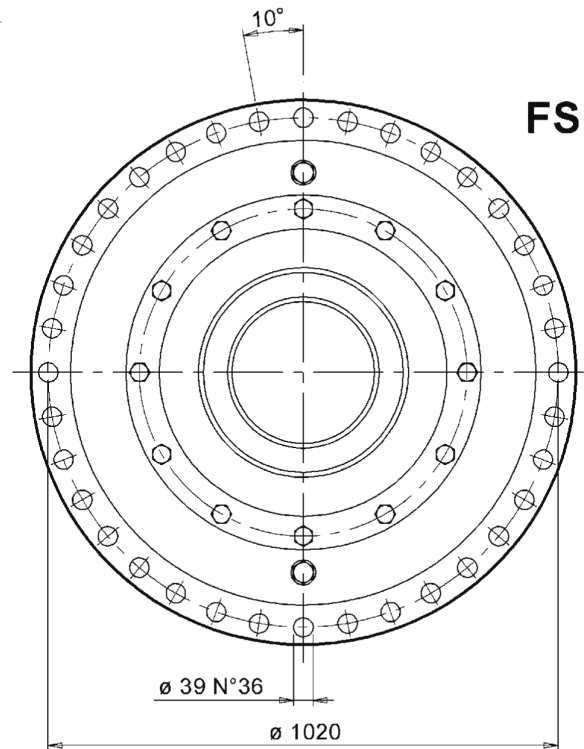
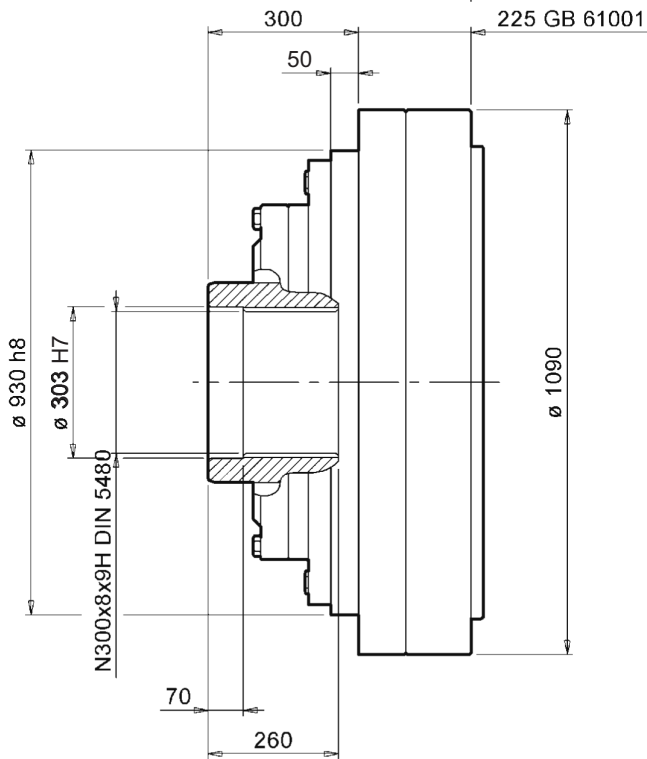
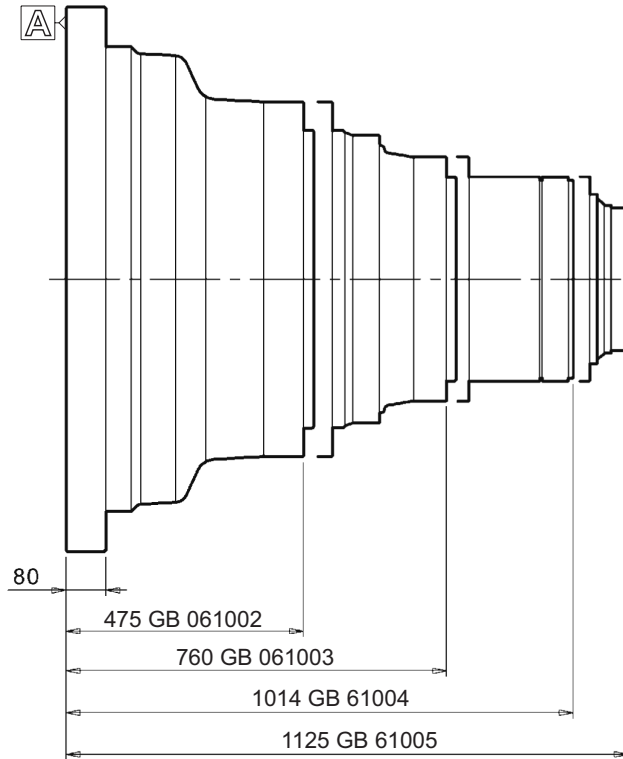
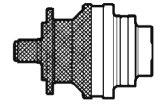
	P_t (kW)
	H
GBA 61005	68
GBA 61006	53

$T_{imp.} = 940000 \text{ Nm}$

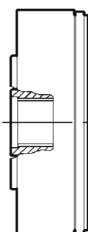
GB 61000



GB 61000

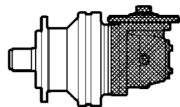
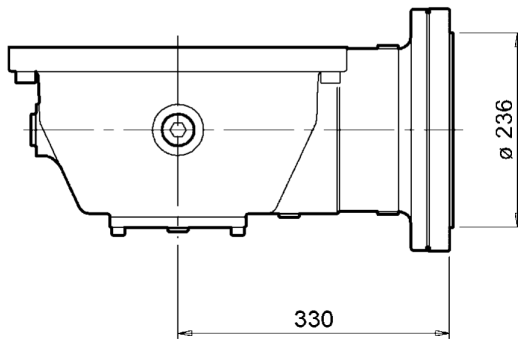
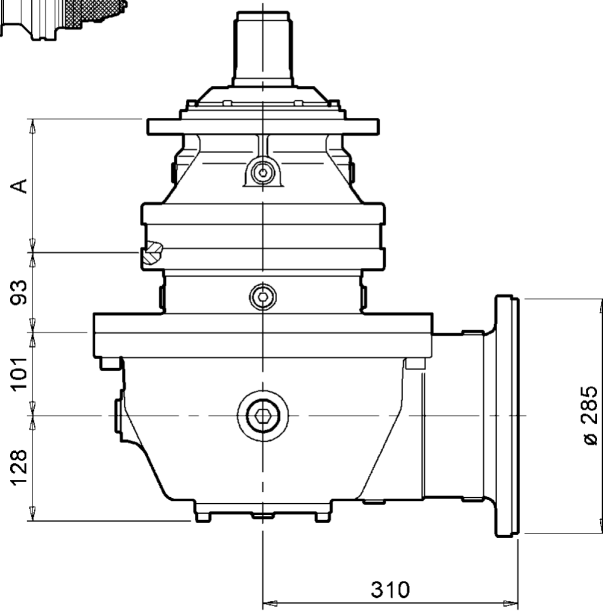
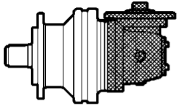


(-) Fa2 (+)

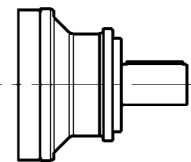
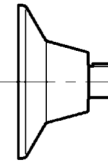
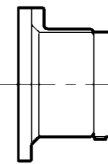
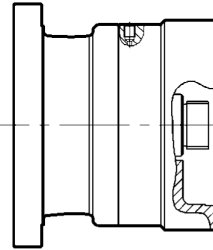
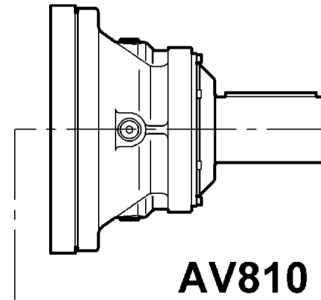


n2 x h = 100 000	
Fa2 max (Fr2 = 0)	
Fa2 (+)	Fa2 (-)
11 000	11 000

GBA 61005 / 61006



	A	B
	HQ-F	HQ-F
GBA 61005	1239	93
GBA 61006	1350	97



ST	MO-MR	ME	AV	225	231	238	242	247	249		
210	214	215	216								